

Installation Instructions for the **BUS, BUST, BULS and BULST**

**BEFORE INSTALLATION, MAKE SURE THE WEAPON IS UNLOADED AND THE SAFETY ENGAGED.
DUE TO DIFFERENT ENGINEERING TOLERANCES SOME FITTING MAY BE REQUIRED.**

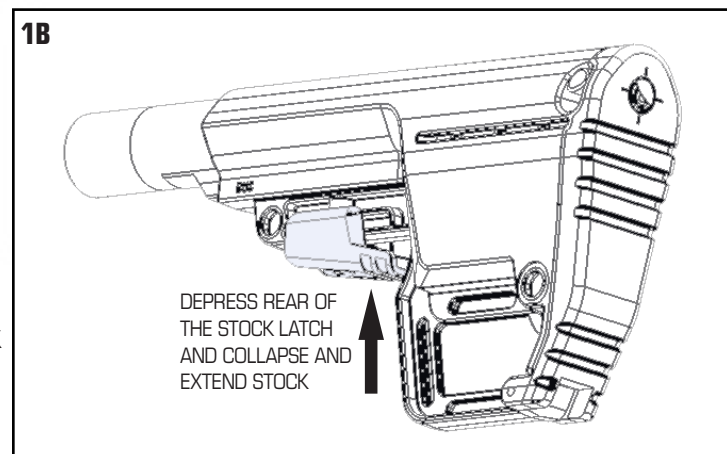
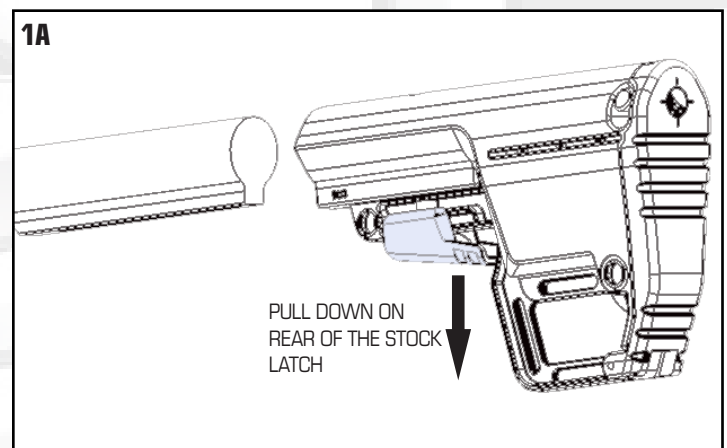
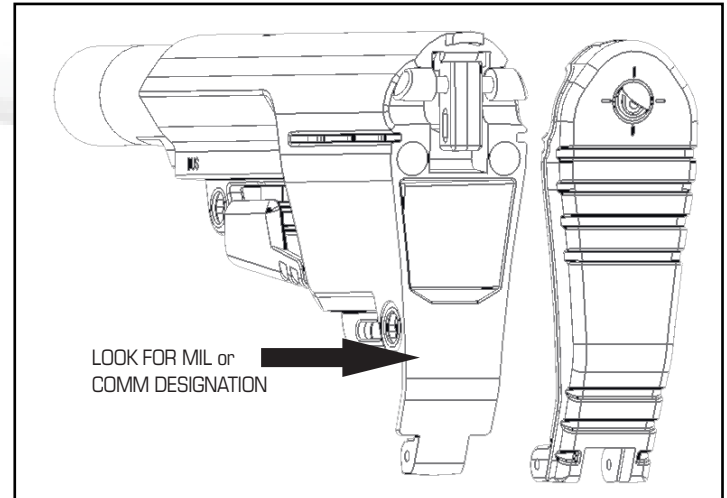
1 Ensure the weapon is unloaded.

2 Our Stocks are available for Mil-Spec or Commercial sized receiver extensions. By pulling down on the butt plate latch and opening the butt plate you can determine which version you have by the designation MIL or COMM

3 To install the stock pull down on the rear of the stock latch (1A) and slide the stock onto the receiver extension. Check function of the stock by depressing the rear of the stock latch (1B) and collapse and extend the stock.

4 If you have a **BUS-T** or **BULS-T** specific tools and expertise are required for installation of the receiver extension. If you are unsure of your ability, contact a gunsmith for installation.

5 Due to slight variations in diameter on Mil-Spec or Commercial receiver extensions, you may experience tightness when collapsing the stock. If this occurs, alternately extend and collapse the stock until it frees up. This will custom fit the stock to your particular receiver extension.



HOW TO CONFIRM YOUR BUFFER TUBE TYPE

Buffer tubes come either as Mil-Spec or Commercial diameter. MFT Stocks are available in Mil-Spec or Commercial versions. The Mil-Spec buffer tube is 1.148" in diameter while the Commercial buffer tube is 1.168" in diameter.

7.25"



FLAT BACK

1.185"

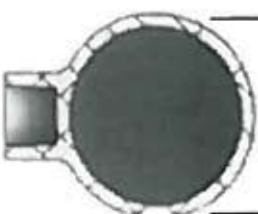


Slant Back

5°

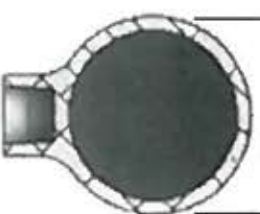
MIL-SPEC VERSION

1.148"



COMMERCIAL VERSION

1.168"



1.170"



⚠️ WARNING: OBSERVE SAFE FIREARM HANDLING PRACTICES AT ALL TIMES. FAILURE TO DO SO MAY RESULT IN BODILY INJURY OR DEATH.

Mission First Tactical shall not be responsible for injury, death or damage to property resulting from improper installation, misuse or illegal use of this product.



MISSION FIRST
TACTICAL

 **MADE IN USA**
LIFETIME WARRANTY